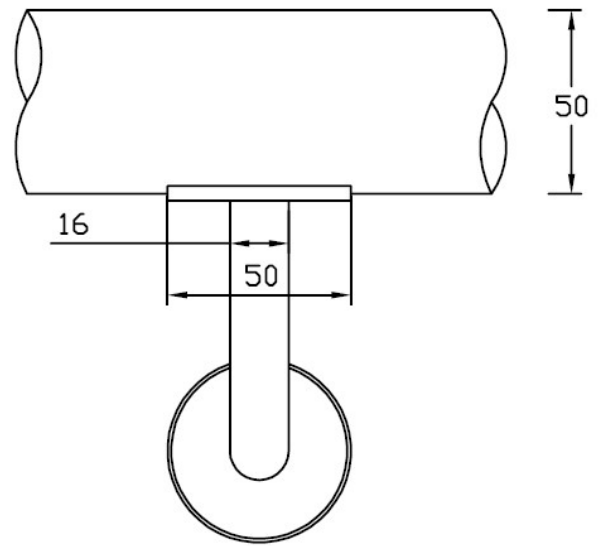
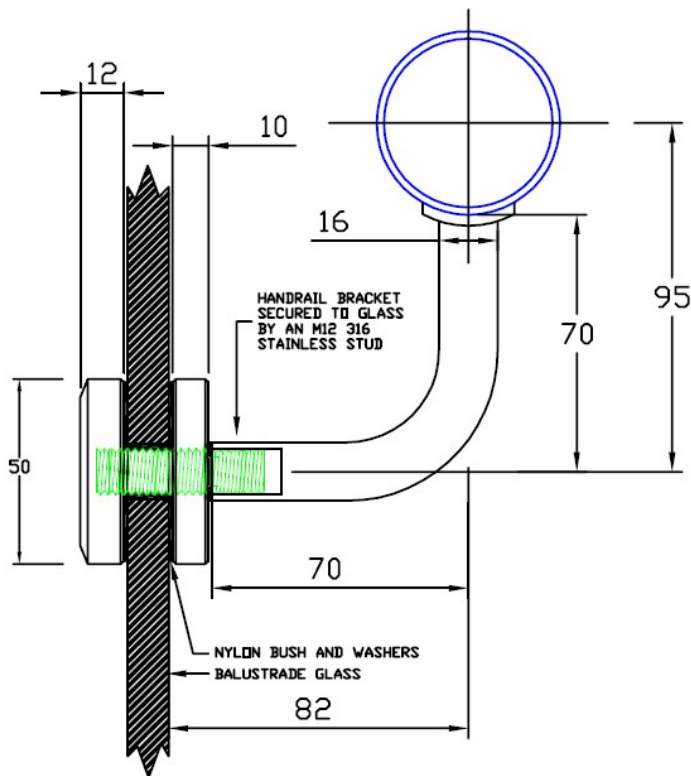


HANDRAILS AND BRACKETS

# GHH-2

## STAINLESS STEEL HANDRAIL SUPPORT BRACKET FOR MOUNTING ON GLASS



GLASS CUT-OUT  
22MM DIA HOLE 75MM DOWN FROM TOP OF GLASS  
OR WHERE REQUIRED.